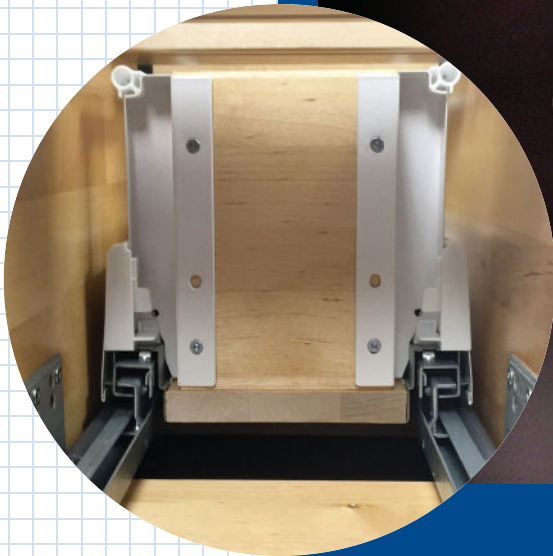




# B164 Metal Drawers

Competitively priced  
without compromising  
quality.

## Soft Close Double Wall Metal Drawers



### Features:

- ▶ Minimum Opening 185 mm
- ▶ Concealed, Full-Extension, Synchronized Slides
- ▶ White or Silver Grey
- ▶ Light Opening & Closing, Smooth Sliding
- ▶ Quick Installation and Easy Dismantling
- ▶ Integrated 3D Front Panel Adjustment
- ▶ Dynamic Locking Capacity 35 Kg



COMTRADSOURCING.com

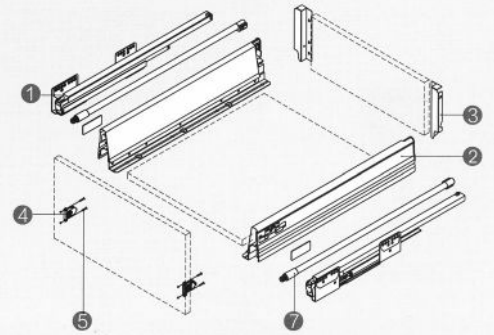
1-866-200-0564

# B164 Metal Drawers

## Ordering Information

Item Number	Nominal Length (NL)	Interior Drawer Length	Minimum Installation Length of Drawer
White			
281-017	270 mm	244 mm	280 mm
281-018	300 mm	274 mm	310 mm
281-019	350 mm	324 mm	380 mm
281-020	400 mm	374 mm	410 mm
281-021	450 mm	424 mm	460 mm
281-022	500 mm	474 mm	510 mm
281-023	550 mm	524 mm	560 mm
Silver			
281-026	500 mm	474 mm	510 mm
281-027	550 mm	524 mm	560 mm

## Basic Components:

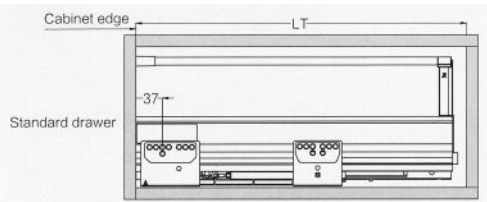


Each complete 164 mm high drawer kit consists of:

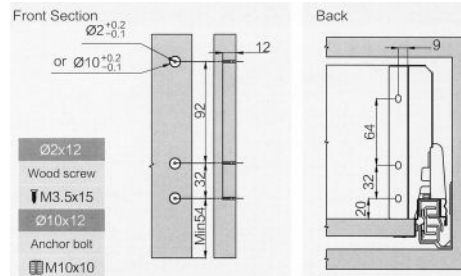
1. Drawer Runners L/R
2. Drawer Slides L/R
3. Rear Connecting Brackets L/R
4. Front Connecting Brackets
5. Screws
6. Side Cover Plates
7. Standard Gallery Rails

## Install Dimensions (mm)

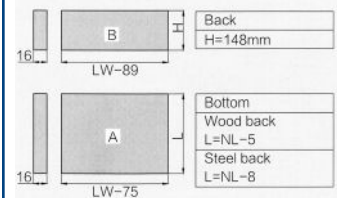
Nominal Side Length = NL  
Interior Cabinet Depth = LT = NL+3



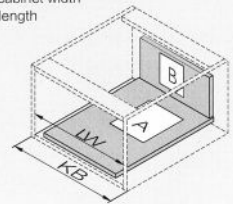
## Drawer Install Dimensions (mm)



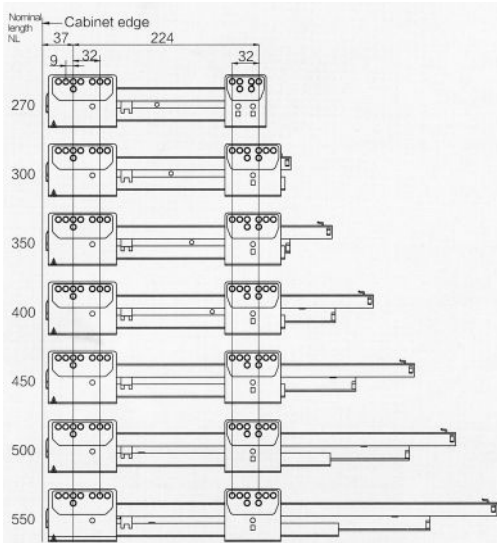
## Drawer Back & Bottom Dimensions (mm)



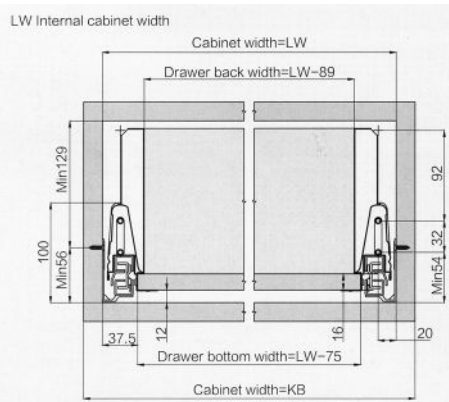
KB Cabinet width  
LW Internal cabinet width  
NL Nominal length



## Screw Positions of the Sides (mm)



## Install Dimensions (mm)



## Space Requirement

