

Undermount Slides Series

1A68F – Silent Soft-Closing Undermount
KingSlide (Face Frame and Frameless)



Specifications

Length: 229 / 305 / 381 / 457 / 533mm 9" / 12" / 15" / 18" / 21"

Travel: Full Extension

Max Drawer Side Thickness: 16mm

Dynamic Load Capacity: 34kg (75 lb)/pair

Max. Load Capacity: 45 kg(100 lb)/pair

Mount: Undermount

Material: Galvanized Steel

Package: 6 pairs/carton

Features

- Undermounted concealed runners with full extension travel length
- Ultra smooth gliding motion with high rigidity and stability
- Enhanced silent soft-closing feature with light opening force
- Durable damping system with fast response capability
- Tool-less drawer height adjustment from the drawer front with 3.5 mm range
- Simple assembly and removal of drawer with the front release latch
- Dynamic loading capacity of 34kg (75lb) with 100,000 life cycles,
- High installation allowances for drawer width: +0/-2 mm, and for drawer depth: +1/-1 mm

To see a demonstration: <http://www.youtube.com/watch?v=x2i4r1Eps2Q>

Applications

- For Face Framed and Frameless Cabinets :
Kitchen Cabinetry, Home Furniture and Box Drawers.

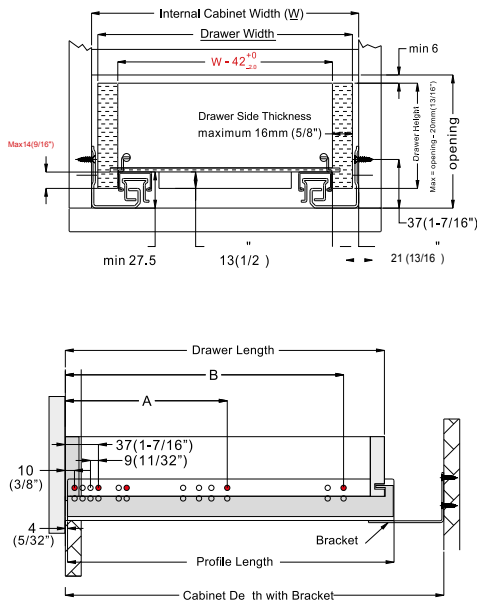


Full Extension Slide

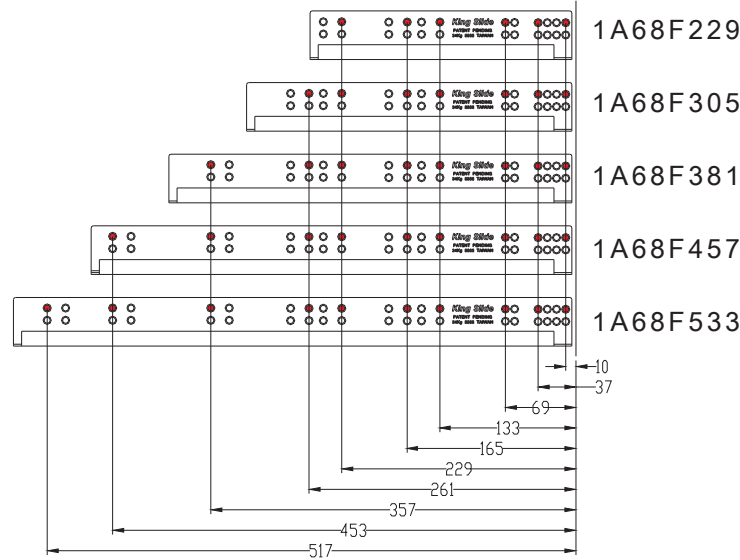
Undermount Slides Series

Dimensional Specifications

Space Requirements



Positions of Cabinet Holes



Drawer Width Formula	
Drawer Side Thickness mm (inch)	"W" minus mm (inch)
16 (5/8")	10 (3/8")
15 (19/32")	12 (15/32")
14 (9/16")	14 (9/16")
13 (1/2")	16 (5/8")
12 (15/32")	18 (23/32")

W: Internal Cabinet Width
 Example: Internal Cabinet Width = 457 mm (18")
 Drawer Side Thickness = 13 mm (1/2")
 Drawer Width = $457 - 16 = 441^{+0}_{-2}$ mm
 = (18") - (5/8") = 17-3/8"

Item No.	Drawer Length	Overall Cabinet Depth	Cabinet Depth With Bracket		Profile Length	System Screw Locations	
			MAX	MIN		A	B
280-940	229 (9")	305 (12")	299 (11-25/32")	266 (10-15/32")	256 (10-1/16")	133 (5-1/4")	229 (9")
280-941	305 (12")	381 (15")	369 (14-9/16")	326 (12-7/8")	318 (12-1/2")	165 (6-1/2")	261 (10-1/4")
280-942	381 (15")	457 (18")	446 (17-9/16")	403 (15-7/8")	394 (15-1/2")	165 (6-1/2")	357 (14-1/16")
280-943	457 (18")	533 (21")	522 (20-9/16")	479 (18-7/8")	470 (18-1/2")	261 (10-1/4")	453 (17-13/16")
280-944	533 (21")	610 (24")	598 (23-9/16")	555 (21-7/8")	546 (21-1/2")	261 (10-1/4")	517 (20-3/8")

Units: mm (inch)

Ordering

Drawer

Item	Description
280-1220	21" 1A68F Left - for 5/8" (16mm) drawer thickness - industrial pack
280-1220-1	21" 1A68F Right - for 5/8" (16mm) drawer thickness - industrial pack
280-1221	18" 1A68F Left - for 5/8" (16mm) drawer thickness - industrial pack
280-1221-1	18" 1A68F Right - for 5/8" (16mm) drawer thickness - industrial pack
280-984	Front Locking Device (FLD) Undermount Assembly Aid
280-985	In and Out Adjustment Kit

