

Sidemount Slides Series

3M52 – Premium Quality, Full-Extension Ball-Bearing Slide with Silent Soft-Closing



Specifications

Length: 305 / 381 / 457 / 533/ 610 mm 12" / 15" / 18" / 21"/24"

Travel: Full Extension

Height: 45.7 mm (1.80")

Side Space: 12.7mm (+0.5mm-0mm)

Disconnect: Lever

Finish: Clear Zinc

Dynamic Load Capacity: 34kg (75 lb)/pair

Mount: Side mount

Material: Cold Rolled Steel

Package: 10 pairs/carton

Features

- Ultra smooth gliding motion with high rigidity and stability
- Enhanced silent soft-closing feature with light opening force
- Durable damping system with fast response capability
- 50,000 life cycles guaranteed under proper installation and normal use

Applications

- Medical Equipment
- Kitchen Furniture
- Work Stations
- Home Cabinets
- Office Furniture

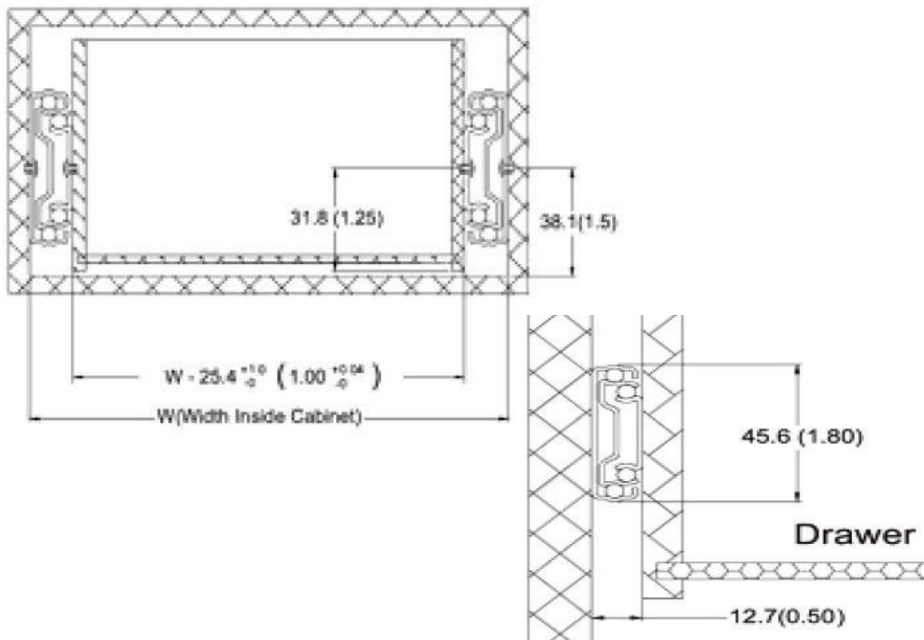


Full Extension Slide

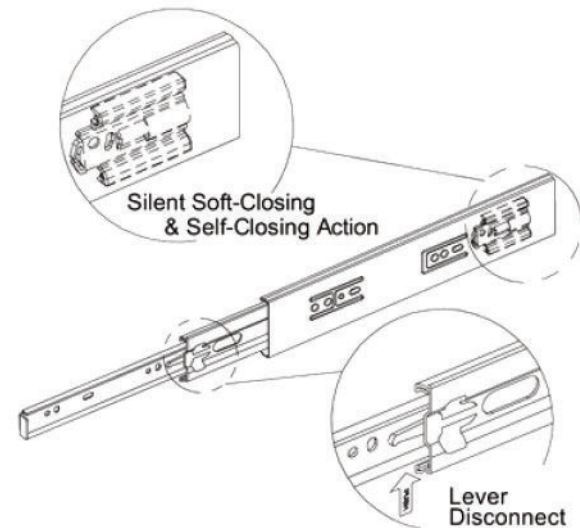
Sidemount Slides Series

Dimensional Specifications

Space Requirements



Features



Item No.	Total Length	Slide Travel	Loading Capacity	Holes Position					
				A	B	C	D	E	F
280-970	302 (11.89)	285 (11.22)	18 (40)	96 (3.78)	---	---	96 (3.78)	---	---
280-971	352 (13.86)	345 (13.58)	25 (55)	128 (5.04)	224 (08.82)	---	128 (5.04)	---	---
280-972	402 (15.83)	400 (15.75)	29 (65)	128 (5.04)	256 (10.08)	---	128 (5.04)	192 (07.56)	---
280-973	452 (17.80)	450 (17.72)	34 (75)	128 (5.04)	320 (12.60)	---	128 (5.04)	256 (10.08)	---
280-974	502 (19.76)	500 (19.69)	34 (75)	128 (5.04)	224 (08.82)	352 (13.86)	128 (5.04)	256 (10.08)	---
280-975	552 (21.73)	550 (21.65)	32 (70)	128 (5.04)	256 (10.08)	384 (15.12)	128 (5.04)	224 (08.82)	320 (12.60)
280-976	602 (23.70)	600 (23.62)	32 (70)	128 (5.04)	288 (11.34)	416 (16.38)	128 (5.04)	224 (08.82)	352 (13.86)

Installation Specifications

