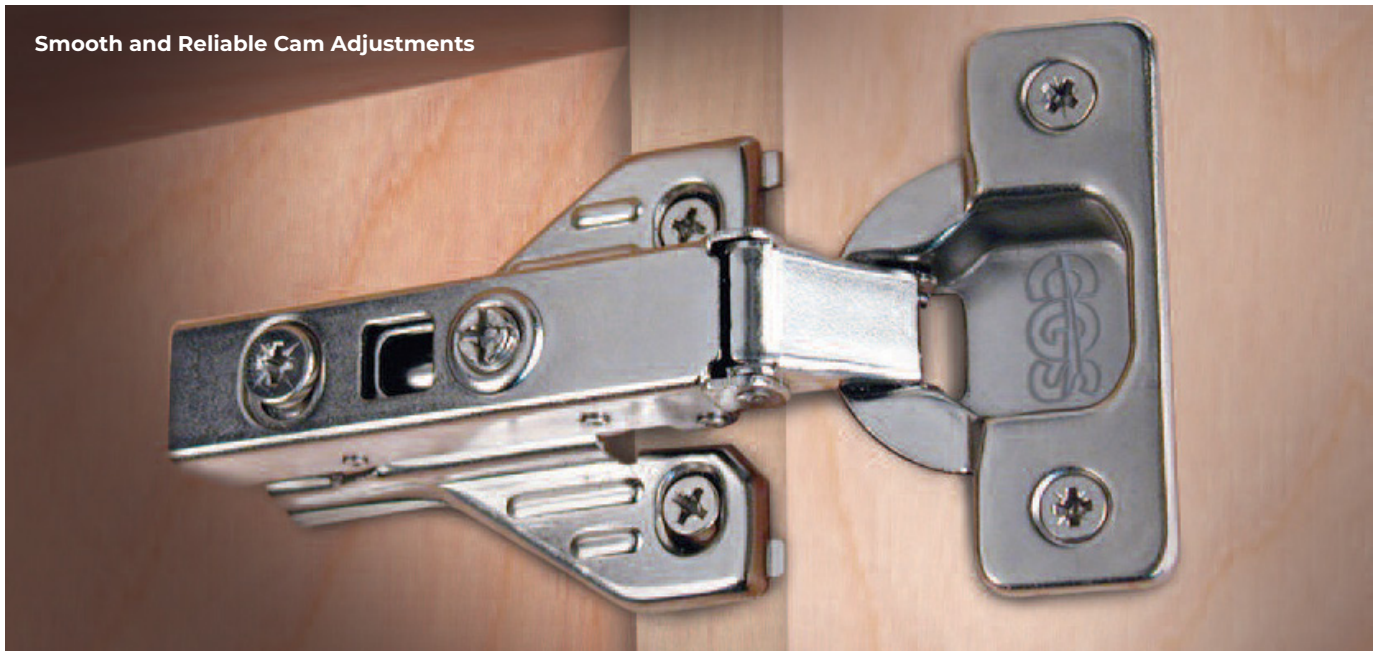


CGS Hinge Series



Cushion Close
Self-Closing
Face Frame



Features

- Heavy Duty Hinge Cup-to-Arm Connection with 6 Laminated Steel Linkage Connectors.
- Multiple Cam Adjustments.
- Full Overlay, Half Overlay and Inset Hinges.
- Easy Clip-On of Hinge-to-Baseplate.
- Common Baseplates for Cushion Close, Free Swing and Self Close Applications.
- Numerous Baseplates for Different Overlays.
- 45mm c/c Hinge Cup Screw Spread.
- Competitive Pricing to Lower Door Hardware Costs.
- Limited Lifetime Warranty.



Steel Face Frame Mounting Plates



Euro Cam Adjustable Mounting Plates



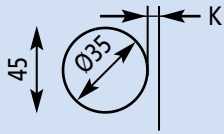
Euro Mounting Plates



Hinge Series

Hinge Overlay Charts

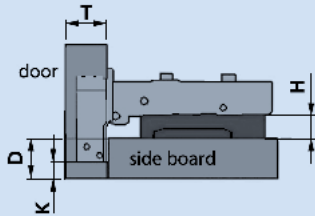
Face Frame Cabinet Overlay



$\begin{matrix} D \\ H \end{matrix} \backslash \begin{matrix} K \\ \end{matrix}$	3	4	5	6	7
0	14	15	16	17	18
3	11	12	13	14	15

Frameless Cabinet Overlay

FULL OVERLAY

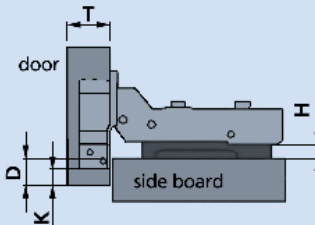


$$T=16-20 \quad H=11+K-D$$

$\begin{matrix} D \\ H \end{matrix} \backslash \begin{matrix} K \\ \end{matrix}$	3	4	5	6	7
0	14	15	16	17	18
2	12	13	14	15	16
4	10	11	12	13	14

Frameless Cabinet Overlay

HALF OVERLAY

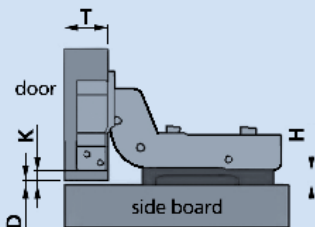


$$T=16-20 \quad H=3+K-D$$

$\begin{matrix} D \\ H \end{matrix} \backslash \begin{matrix} K \\ \end{matrix}$	3	4	5	6	7
0	6	7	8	9	10
2	4	5	6	7	8
4	2	3	4	5	6

Frameless Cabinet Overlay

INSET



$$T=16-20 \quad H=D+K-5$$

$\begin{matrix} D \\ H \end{matrix} \backslash \begin{matrix} K \\ \end{matrix}$	3	4	5	6
0	2	1	0	-1
2	4	3	2	1
4	6	5	4	3

Comtrad Item Numbers & Description

Clip-On Cushion Close Hinge With Cam Adjustable Arm, 35mm CUP, 45mm C/C

P/N	Product Description	Carton Qty
243-1016	110 Degree Clip Cushion Hinge, Full OL, with 8mm dowels	250
243-1017	110 Degree Clip Cushion Hinge, Half OL, with 8mm dowels	250
243-1018	110 Degree Clip Cushion Hinge, Inset, with 8mm dowels	250
243-1019	110 Degree Clip Cushion Hinge, Full OL, without dowels	250
243-1020	110 Degree Clip Cushion Hinge, Half OL, without dowels	250
243-1021	110 Degree Clip Cushion Hinge, Inset, without dowels	250
243-1022	125 Degree Clip Cushion Hinge, Full OL, with 8mm dowels	250
243-1023	125 Degree Clip Cushion Hinge, Full OL, without dowels	250
243-1026	110 Degree Clip Cushion Hinge, Full OL, Quick Mount	250
243-1027	110 Degree Clip Cushion Hinge, Half OL, Quick Mount	250
243-1028	110 Degree Clip Cushion Hinge, Inset, Quick Mount	250
243-1051	165 Degree Clip Cushion Hinge, Full OL, without dowels	100
243-1052	30 Degree Clip Cushion Hinge, without dowels	100
243-1053	45 Degree Clip Cushion Hinge, without dowels	100
243-1054	90 Degree Clip Blind Corner Cushion Hinge, without dowels	100
243-1055	165 Degree Clip Cushion Hinge, Full OL, with 8mm dowels	100
243-1056	30 Degree Clip Cushion Hinge, with 8mm dowels	100
243-1057	45 Degree Clip Cushion Hinge, with 8mm dowels	100
243-1058	90 Degree Clip Blind Corner Cushion Hinge, with 8mm dowels	100
243-1059	165 Degree Wide Angle Clip Cushion Hinge, Half OL, with 8mm dowels	100
243-1060	165 Degree Wide Angle Clip Cushion Hinge, Inset, with 8mm dowels	100
243-1077	165 Degree Wide Angle Clip Cushion Hinge, Inset, without dowels	100
243-1078	135 Degree Pie Cut Corner Hinge, with 8mm dowels	100
243-2011	Angle Reduction Clip, Reduces angle to 95 degrees	250
243-2015	ABS Hinge Arm Cover Cap	250
243-2016	Steel Hinge Arm Cover Cap	250

Clip-On Self Closing & Free Swinging Hinges With Cam Adjustable Arm, 35mm CUP, 45mm C/C

P/N	Product Description	Carton Qty
243-1041	110 Degree On Hinge, Self Close Full OL, with 8mm dowels	250
243-1042	110 Degree On Hinge, Self Close Full OL, without dowels	250
243-1043	110 Degree On Hinge, Free Swing Full OL, with 8mm dowels	250
243-1044	110 Degree On Hinge, Free Swing Full OL, without dowels	250
243-1045	110 Degree Clip Self Closing Hinge, Half OL, with 8mm dowels	250
243-1046	110 Degree Clip Self Closing Hinge, Half OL, without dowels	250
243-1047	110 Degree Clip Self Closing Hinge, Inset, with 8mm dowels	250
243-1048	110 Degree Clip Self Closing Hinge, Inset, without dowels	250
243-1049	110 Degree Clip Free Swing Hinge, Inset, without dowels	250
243-1071	125 Degree Clip Self Closing Hinge, Full OL, with 8mm dowels	250
243-1072	125 Degree Clip Self Closing Hinge, Full OL, without dowels	250
243-1073	165 Degree Wide Angle Clip Self Closing, Full OL, with 8mm dowels	100
243-1074	165 Degree Wide Angle Clip Self Closing, Full OL, without dowels	100

One Piece Cushion Close / Self-Close Face Frame Hinges With Cam Adjustable Arm, 35mm CUP, 45mm C/C

P/N	Product Description	Carton Qty
243-1061	110 Degree Short Arm Cushion Hinge, 1/2" OL, with 8mm dowels	200
243-1062	110 Degree Short Arm Cushion Hinge, 1/2" OL, without dowels	200
243-1063	110 Degree Short Arm Cushion Hinge, 5/8" OL, with 8mm dowels	200
243-1064	110 Degree Short Arm Cushion Hinge, 5/8" OL, without dowels	200
243-1065	110 Degree Short Arm Self Close Hinge, 1/2" OL, with 8mm dowels	200
243-1066	110 Degree Short Arm Self Close Hinge, 1/2" OL, without dowels	200
243-1067	110 Degree Short Arm Self Close Hinge, 5/8" OL, with 8mm dowels	200
243-1068	110 Degree Short Arm Self Close Hinge, 5/8" OL, without dowels	200

*Attach with #6 X 5/8" Wood Screws

OL = Overlay

Comtrad Item Numbers & Description

Compact One Piece Cushion Close / Self-Close Hinge

P/N	Product Description	Carton Qty
243-1069	Compact, Face Frame, Self Close Hinge, 1/2" OL, with 8mm dowels	250
243-1070	Compact, Face Frame, Self Close Hinge, 1/2" OL, without dowels	250
243-1075	Compact, Face Frame, Self Close Hinge, 1-1/4" OL, 2-cam with 8mm dowels	300
243-1076	Compact, Face Frame, Self Close Hinge, 1-1/4" OL, 2-cam without dowels	300
243-1093	Compact, Face Frame, Cushion Close Hinge, 1-1/4" OL, 2-cam with 8mm dowels	300
243-1095	Compact, Face Frame, Cushion Close Hinge, 1-1/4" OL, 3-cam with 8mm dowels	300
243-1101	Compact, Face Frame, Cushion Close Hinge, 1/2" OL, 3-cam with 8mm dowels	300

Euro Mounting Plate For Clip-On*

P/N	Product Description	Carton Qty
243-2017	Basic Steel Mounting Plate, 0mm, without Screws	250
243-2018	Basic Steel Mounting Plate, 2mm, without Screws	250
243-2019	Basic Steel Mounting Plate, 4mm, without Screws	250

Euro Mounting Plates For Clip-On With Euro Screws

P/N	Product Description	Carton Qty
243-2020	Basic Steel Mounting Plate, 0mm, with 14mm Euro Screws	250
243-2021	Basic Steel Mounting Plate, 2mm, with 14mm Euro Screws	250
243-2022	Basic Steel Mounting Plate, 4mm, with 14mm Euro Screws	250
243-2031	Basic Steel Mounting Plate, 0mm, with 12mm Euro Screws	250
243-2035	Basic Steel Mounting Plate, 0mm, with 5mm dowel	250

Euro Cam Adjustable Mounting Plates For Clip-On*

P/N	Product Description	Carton Qty
243-2023	Cam Adjustable Mounting Plate, 0mm, without Screws	250
243-2024	Cam Adjustable Mounting Plate, 2mm, without Screws	250
243-2025	Cam Adjustable Mounting Plate, 4mm, without Screws	250
243-2036	Cam Adjustable Mounting Plate, 0mm, with 5mm dowel	250

Euro Cam Adjustable Mounting Plates For Clip-On With Euro Screws

P/N	Product Description	Carton Qty
243-2026	Cam Adjustable Mounting Plate, 0mm, with 14mm Euro Screws	250
243-2027	Cam Adjustable Mounting Plate, 2mm, with 14mm Euro Screws	250
243-2028	Cam Adjustable Mounting Plate, 4mm, with 14mm Euro Screws	250

Steel Face Frame Mounting Plate For Clip-On*

P/N	Product Description	Carton Qty
243-2029	Face Frame Mounting Plate, 0mm, without Screws	250
243-2030	Face Frame Mounting Plate, 3mm, without Screws	250

Zinc Alloy Cam Adjustable Face Frame Mounting Plates For Clip-On*

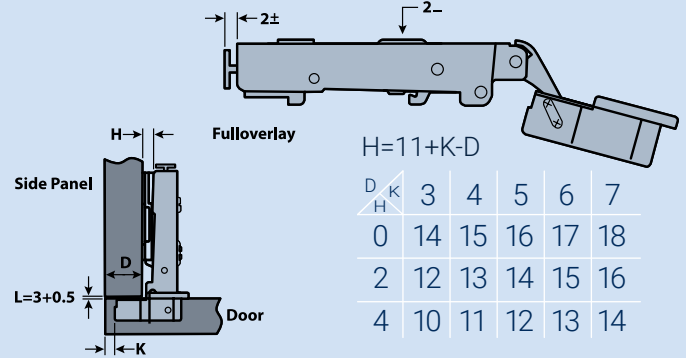
P/N	Product Description	Carton Qty
243-2032	Cam Adjust Face Frame Mounting Plate, 0mm, without Screws	250
243-2033	Cam Adjust Face Frame Mounting Plate, 3mm, without Screws	250
243-2034	Cam Adjust Face Frame Mounting Plate, 6mm, without Screws	250

*Attach with #6 X 5/8" Wood Screws

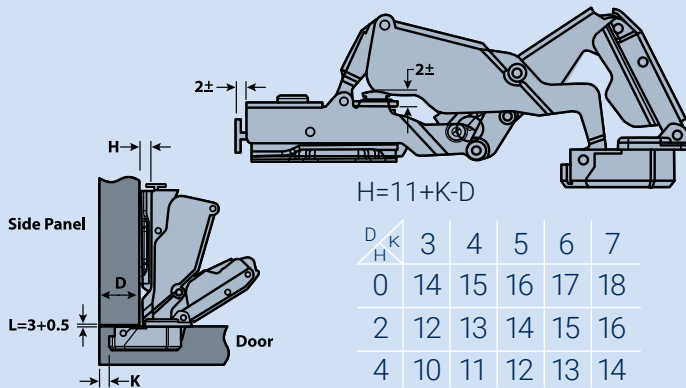
OL = Overlay

Hinge Series

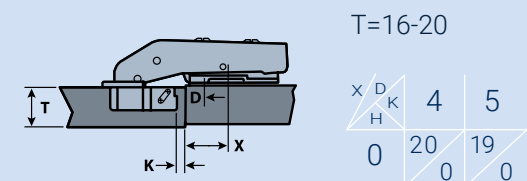
125 Degree Clip Cushion Hinge



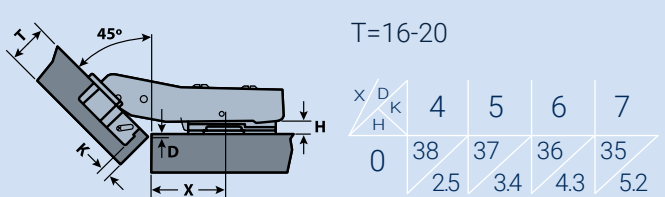
165 Degree Clip Cushion Hinge



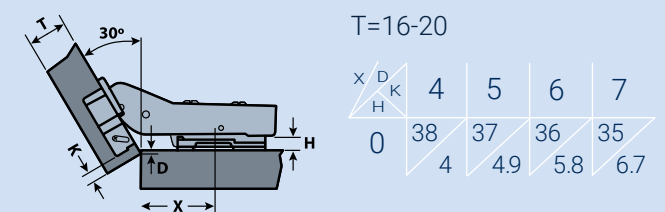
90 Degree Clip Blind Corner Cushion Hinge



45 Degree Clip Cushion Hinge



30 Degree Clip Cushion Hinge



CGS Hinge Series



Cushion Close & Self-Close Hinges

CGS will meet your needs in any frameless application.



110 Degree Cushion Close



165 Degree Wide Angle



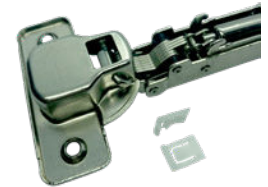
135 Degree Pie Cut Corner



Blind Corner



45 Degree Diagonal



Angle Reduction Clip

¼" and ½" overlays are the most dominant but a full range of face frame overlays are available.

Compact &
Short Arm
Face Frame
Hinges



1 ¼" Compact Overlay



½" Compact Overlay



Short Arm
(Available in ½" and ⅝" Door Overlays)

Laminated Heavy Duty Steel
Linkage Connector On 110 Degree
Clip Cushion Hinges

